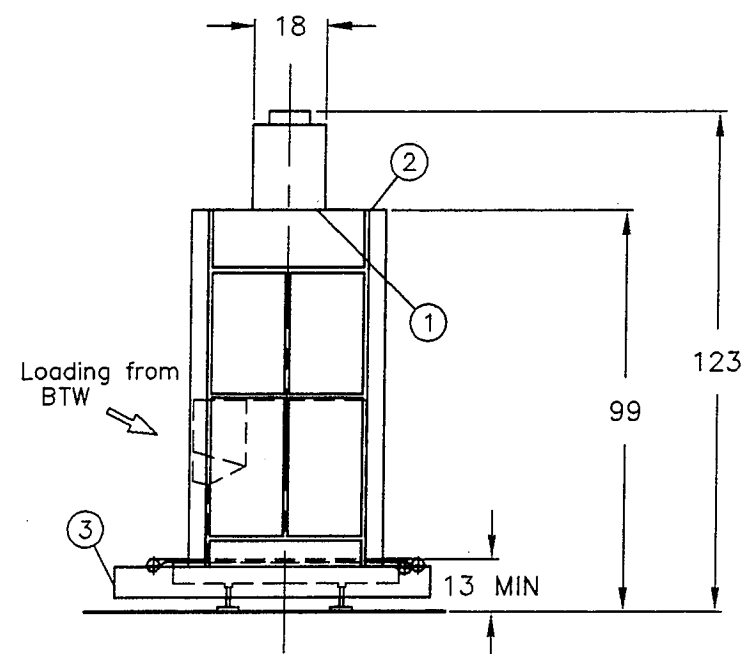
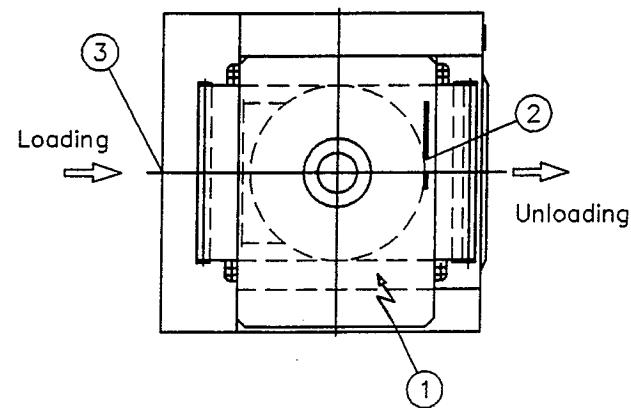


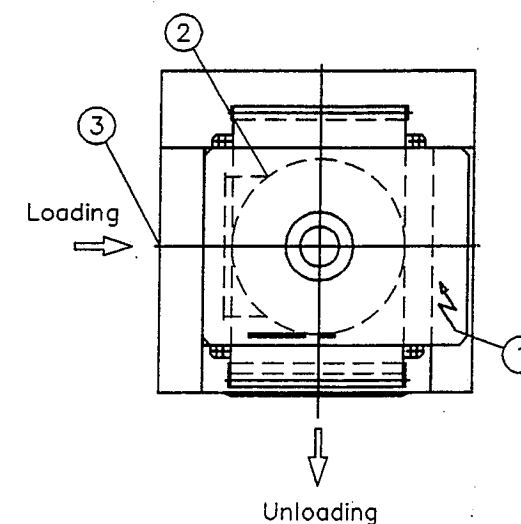
PLAN VIEW



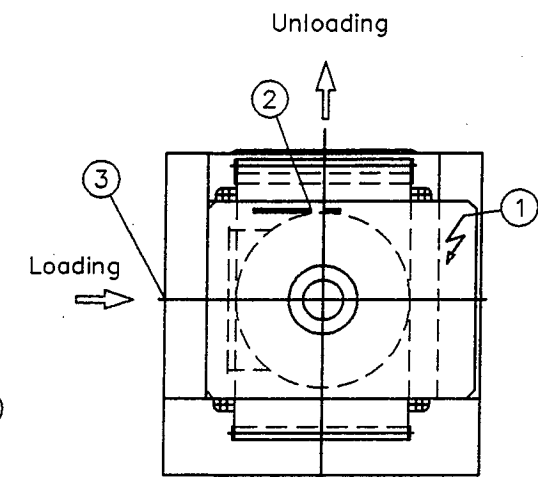
ELEVATION VIEW



STRAIGHT-THRU DISCHARGE



ALTERNATE RIGHT DISCHARGE



ALTERNATE LEFT DISCHARGE

|              |   |   |
|--------------|---|---|
| 1 ELECTRICAL | 208/240/480/600-3-60 - 11.5 HP  |   |
| 2 WATER      | 1/2" NPT cold water inlet & outlet, for hydraulic fluid cooling coil. Pipe outlet to fresh water tank of washer. Max pressure 60 PSI. |   |
| 3 DRAIN      | 4 1/2" machine drain. Provide minimum 4" floor drain.   |   |
| WEIGHT       | 14,700 LBS net  | 15,700 LBS shipping                             |
| SHIPPING     | 3 crates  | largest crate: D 73"x W 73"x H 88" @ 13,400 LBS |

SUBJECT TO CHANGE WITHOUT NOTICE



G.A. BRAUN, INC.  
 461 East Brighton Avenue  
 Syracuse, NY 13205  
 Phone 315-475-3123  
 Fax 315-475-4130

BRAUN 110BPE-SINGLE STAGE  
 BATCH PRESS EXTRACTOR

PTB 03/30/98

NO SCALE

EP841