

ALL DIMENSIONS IN INCHES & MILLIMETERS  
NOT TO SCALE—FOR REFERENCE ONLY  
NOT FOR CONSTRUCTION UNLESS CERTIFIED  
DIMENSIONAL TOLERANCES  $\pm 1/4"$   
LOCATIONS & SIZES OF MOUNTING HOLES  $\pm 1/8"$

APPROVED *Chas. H. ...* DATE 5/15/91  
CERTIFIED PRINT FOR CONSTRUCTION  
ISSUED \_\_\_\_\_ BY \_\_\_\_\_  
ORDER NO. \_\_\_\_\_

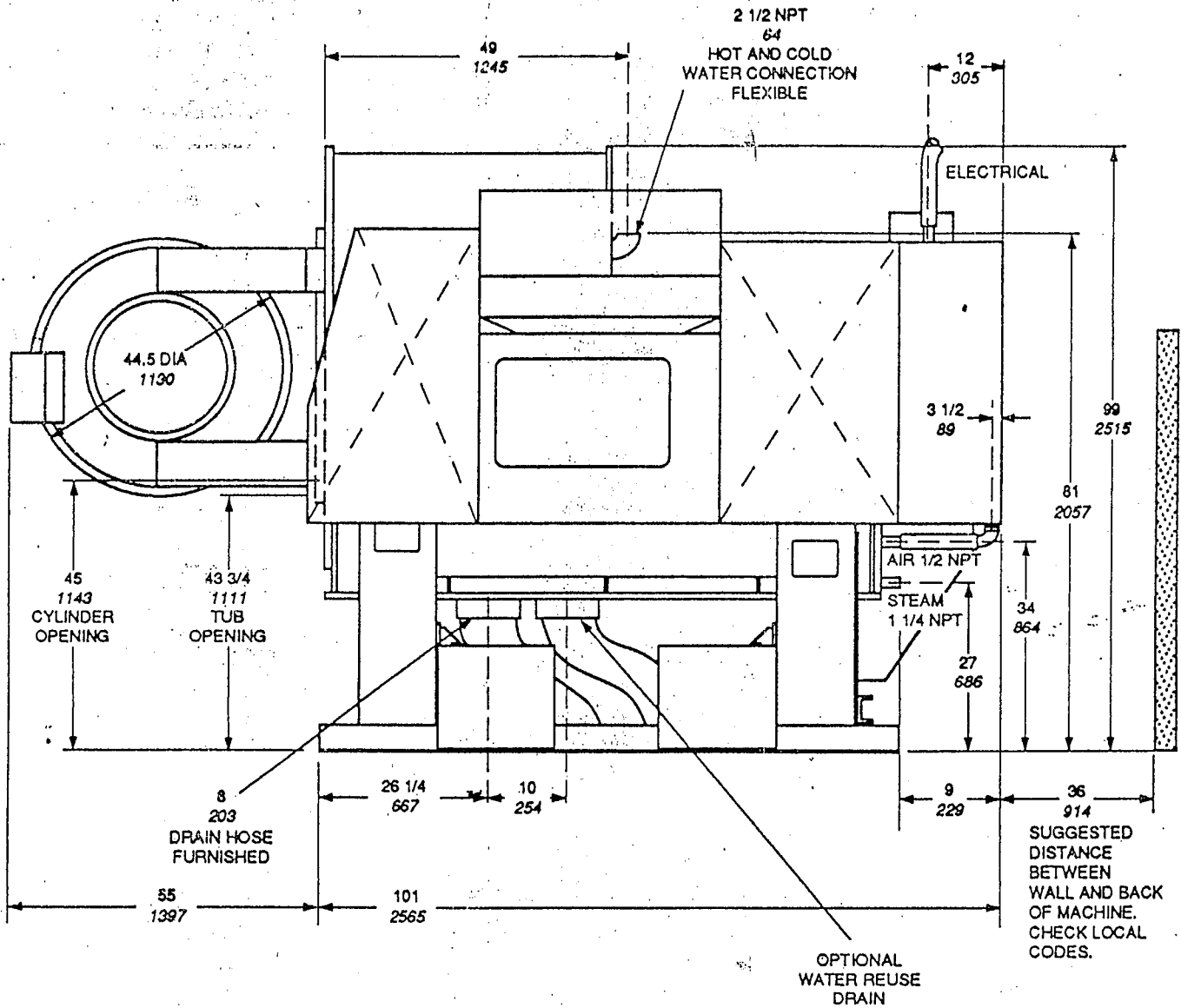
# American

American Laundry Machinery, Inc.  
5050 Seaton Avenue, Cincinnati, Ohio 45212

## 450 POUND CAPACITY TILTING WASHER-EXTRACTOR WITH OPTIONAL SUPPLY INJECTOR

401 WP  
SHEET 2 OF 7

5-15-91



ALL DIMENSIONS IN INCHES & MILLIMETERS  
NOT TO SCALE—FOR REFERENCE ONLY  
NOT FOR CONSTRUCTION UNLESS CERTIFIED  
DIMENSIONAL TOLERANCES  $\pm 1/4"$   
LOCATIONS & SIZES OF MOUNTING HOLES  $\pm 1/8"$

APPROVED *Chas. Henderson* DATE 5/15/91  
CERTIFIED PRINT FOR CONSTRUCTION  
ISSUED \_\_\_\_\_ BY \_\_\_\_\_  
ORDER NO. \_\_\_\_\_

**American** 

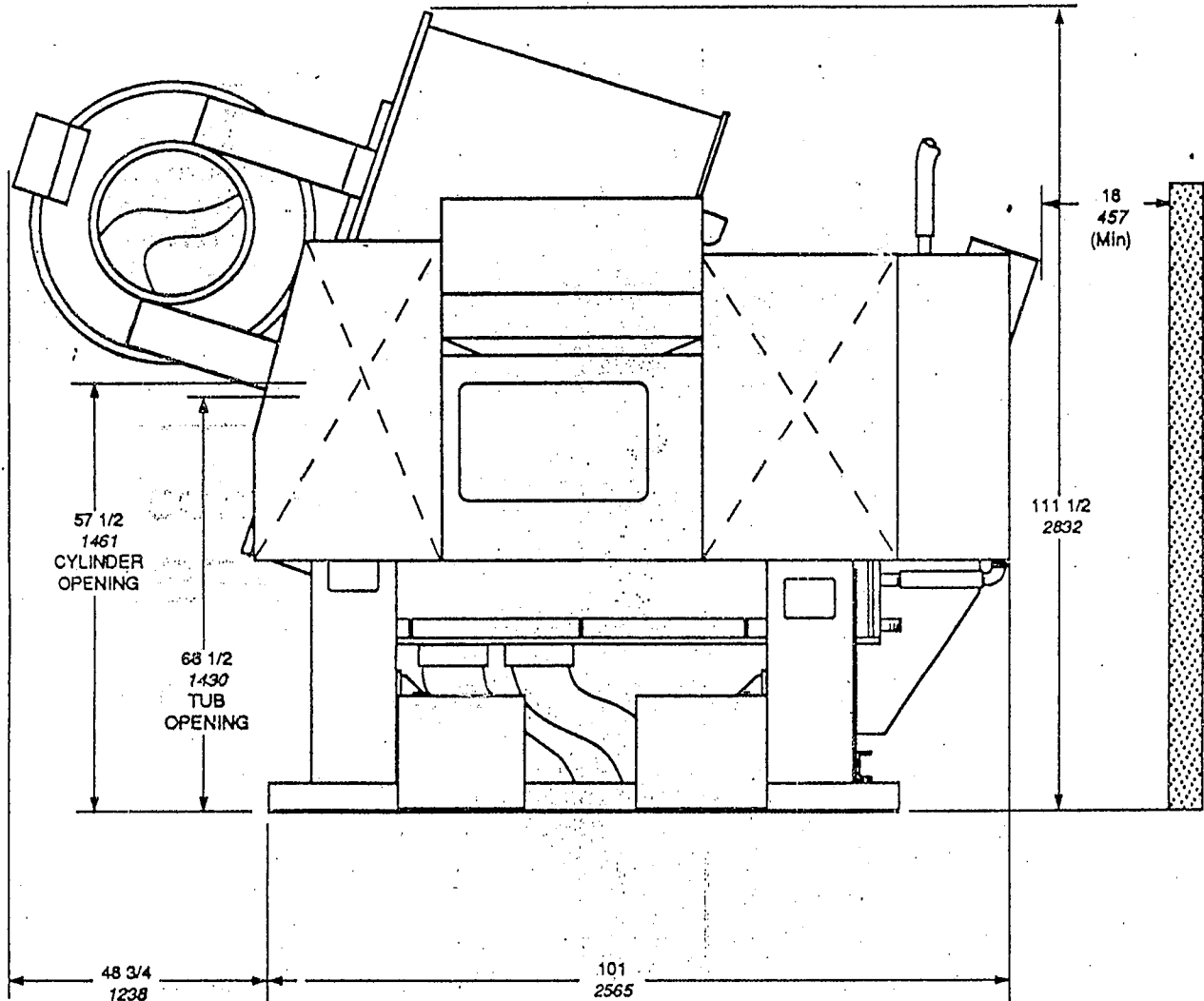
American Laundry Machinery, Inc.  
5050 Section Avenue, Cincinnati, Ohio 45212

**450 POUND CAPACITY  
TILTLING WASHER-EXTRACTOR  
WITH OPTIONAL SUPPLY INJECTOR**

401 WP  
SHEET 3 OF 7

5-15-91

15° TILT FOR LOADING (STANDARD)



ALL DIMENSIONS IN INCHES & MILLIMETERS  
NOT TO SCALE—FOR REFERENCE ONLY  
NOT FOR CONSTRUCTION UNLESS CERTIFIED  
DIMENSIONAL TOLERANCES  $\pm 1/4"$   
LOCATIONS & SIZES OF MOUNTING HOLES  $\pm 1/8"$

APPROVED *Chris [Signature]* DATE 5/15/91

CERTIFIED PRINT FOR CONSTRUCTION

ISSUED \_\_\_\_\_ BY \_\_\_\_\_

ORDER NO. \_\_\_\_\_

# American

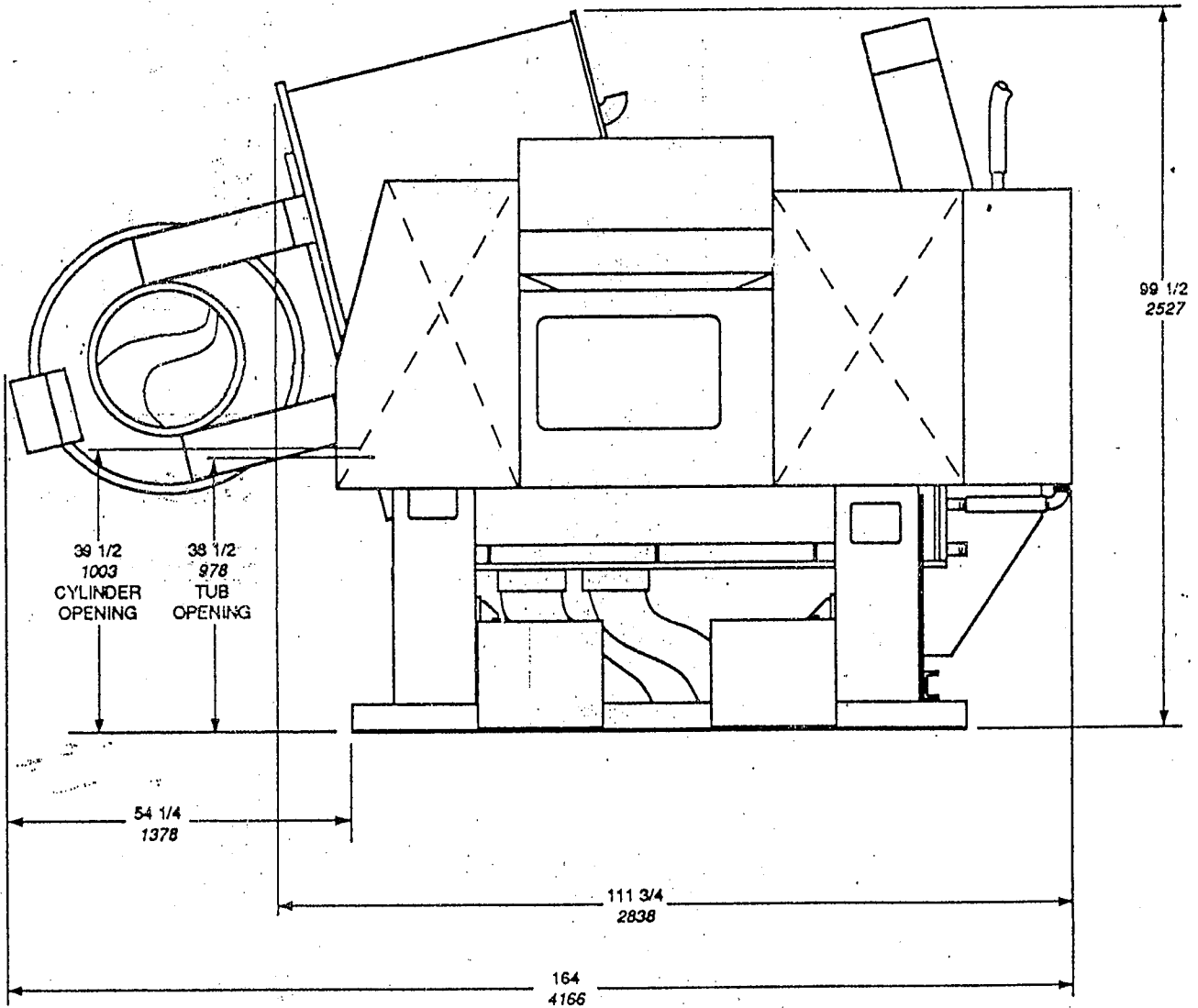
American Laundry Machinery, Inc.  
5050 Section Avenue, Cincinnati, Ohio 45212

## 450 POUND CAPACITY TILTLING WASHER-EXTRACTOR WITH OPTIONAL SUPPLY INJECTOR

401 WP  
SHEET 4 OF 7

5-15-91

10° TILT FOR UNLOADING (STANDARD)



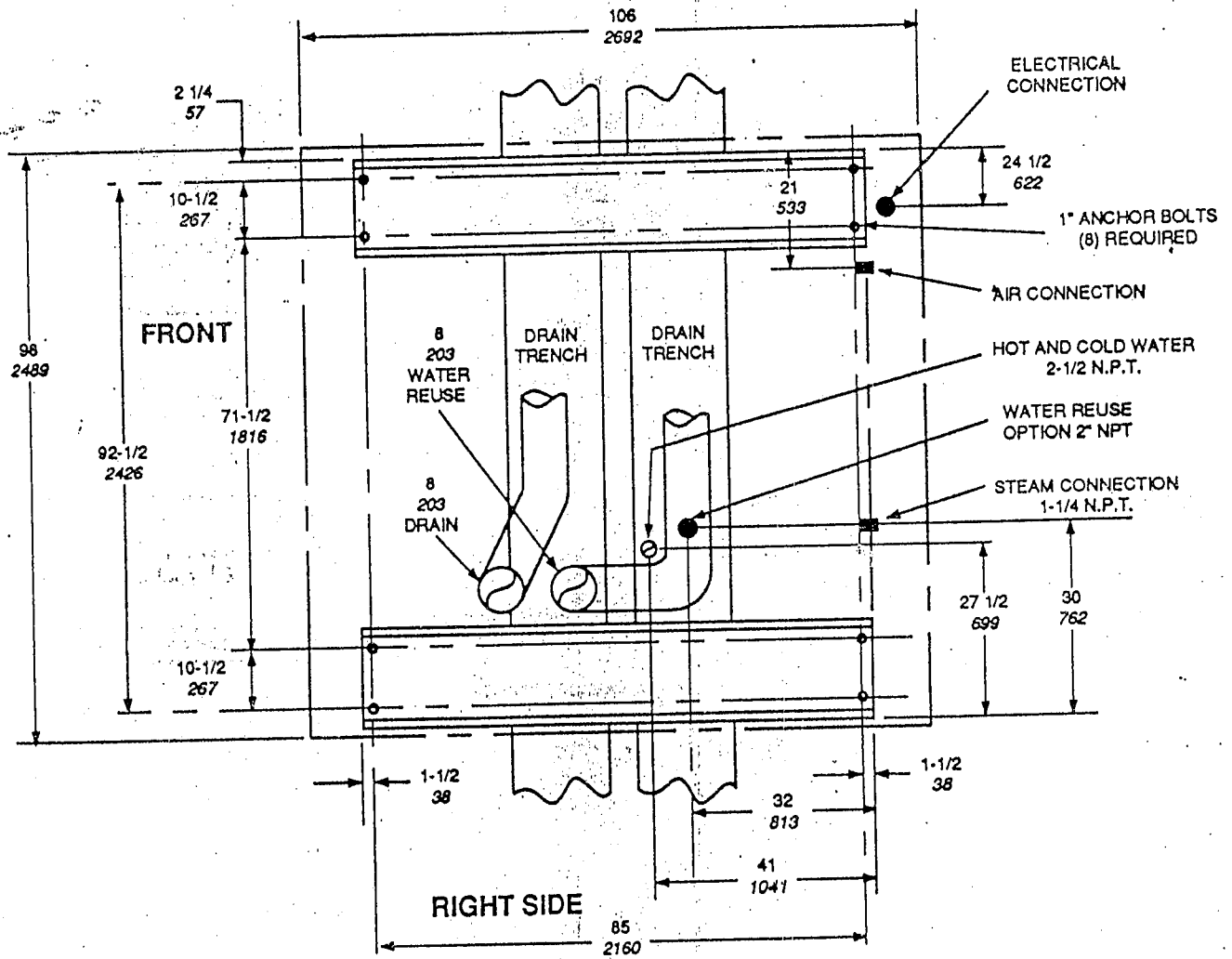
ALL DIMENSIONS IN INCHES & MILLIMETERS  
NOT TO SCALE—FOR REFERENCE ONLY  
NOT FOR CONSTRUCTION UNLESS CERTIFIED  
DIMENSIONAL TOLERANCES  $\pm 1/4$ "  
LOCATIONS & SIZES OF MOUNTING HOLES  $\pm 1/8$ "

APPROVED *Chris T. Anderson* DATE 5/15/91

CERTIFIED PRINT FOR CONSTRUCTION

ISSUED \_\_\_\_\_ BY \_\_\_\_\_

ORDER NO. \_\_\_\_\_



ALL DIMENSIONS IN INCHES & MILLIMETERS  
NOT TO SCALE—FOR REFERENCE ONLY  
NOT FOR CONSTRUCTION UNLESS CERTIFIED  
DIMENSIONAL TOLERANCES  $\pm 1/4"$   
LOCATIONS & SIZES OF MOUNTING HOLES  $\pm 1/8"$

APPROVED: *Chris Henderson* DATE 5/15/91

CERTIFIED PRINT FOR CONSTRUCTION

ISSUED \_\_\_\_\_ BY \_\_\_\_\_

ORDER NO. \_\_\_\_\_



American Laundry Machinery, Inc.  
5050 Seckon Avenue, Cincinnati, Ohio 45212

CASCADEX WASHER-EXTRACTOR  
WITH MICROPROCESSOR  
450 POUND CAPACITY

401 DS  
SHEET 1 OF 2

5-15-91

ELECTRICAL DATA

*Nominal Voltage/Hertz/Phase	200/60/3	230/60/3	460/60/3	575/60/3	220/50/3	380/50/3	415/50/3	
**Minimum Supply Circuit Conductor Ampacity	85	75	50	45	80	55	50	
**Maximum Rating of Protection Device	Dual Element Time Delay Fuse	100	100	60	50	100	60	60
	Inverse Time Delay Circuit Breaker	125	110	60	50	110	70	60
Full Load Amperes	51	44	22	17.6	46	27	25	
Average Running Amperes	35	32	16	13	32	19	17	
Number of Primary Power Connections	3 + grd	3 + grd	3 + grd	3 + grd	3 + grd	3 + grd	3 + grd	

MOTOR DATA

MOTOR	50/60Hz HP	50/60Hz RPM		
Drive	40	1750		

- \* The voltages listed are rated machine voltages.
- \* The currents listed are rated for system voltage ranges of  $\pm 5\%$ .
- \*\* Conductor ampacity and protection devices are determined in accordance with NATIONAL ELECTRIC CODE. Installer must comply with all local codes and ordinance related to installation.

GENERAL SPECIFICATIONS	U.S.	METRIC
Air Pressure @ Inlet	75 - 85 psig	
Maximum Air Pressure	100 psig	700 k Pa
Suggested Air Pressure	75 psig (65 psf/min)	517 k Pa
* Maximum Air Consumption @ Suggested Pressure	35 ft <sup>3</sup> Free air/min	991 l <sup>3</sup> Free air/min
* Average Air Consumption @ Suggested Pressure	.5 ft <sup>3</sup> Free air/min	14.16 l <sup>3</sup> Free air/min
Maximum Steam Pressure	125 psig	862 k Pa
Suggested Operating Steam Pressure	100 psig	689 k Pa
Capacity Dry Weight	450 lbs	204 kg
Cylinder Size 66 x 38	75 ft <sup>3</sup>	2.12 m <sup>3</sup>
Net Machine Weight	14,310 lbs	6491 kg
Shipping Weight	14,890 lbs	6754 kg
Shipping Height (with unit on skid)	104 in	2642 mm
Water Pressure @ Inlet	50 - 100 psig	345 - 689 k Pa
Maximum Water Consumption	400 gpm @ 50 psi	1514 l/min @ 345 k Pa

\* Assuming Two Tilts & One Extract Per Hour.

NOT FOR CONSTRUCTION UNLESS CERTIFIED

APPROVED *[Signature]* DATE 5/21/91  
 CERTIFIED PRINT FOR CONSTRUCTION  
 ISSUED \_\_\_\_\_ BY \_\_\_\_\_  
 ORDER NO. \_\_\_\_\_



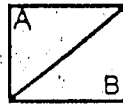
American Laundry Machinery, Inc.  
5050 Section Avenue, Cincinnati, Ohio 45212

CASCADEX WASHER-EXTRACTOR  
WITH MICROPROCESSOR  
450 POUND CAPACITY

401 DS  
SHEET 2 OF 2

5-15-91

Water Consumption (Gal./Liter)  
450# Load (Clean Dry Weight)



A = Initial Fill  
B = Fill After Drain

TYPE MATERIAL (or Condition)	Level #1 12" in Cylinder	Level #2 18" in Cylinder	Level #3 24" in Cylinder
100% Cotton	270 1022 l  110 416 l	300 1136 l  150 568 l	335 1268 l  185 700 l
50/50 Blends	195 738 l  110 415 l	220 833 l  150 568 l	255 965 l  220 833 l
Walk Off Material	106 401 l  88 330 l	170 644 l  110 416 l	200 757 l  145 549 l
No Goods Empty Cylinder	105 397 l	160 606 l	220 833 l

stopped

an unsafe  
ently get in

NOT FOR CONSTRUCTION UNLESS CERTIFIED

APPROVED *[Signature]* DATE 5/21/91  
CERTIFIED PRINT FOR CONSTRUCTION  
ISSUED \_\_\_\_\_ BY \_\_\_\_\_  
ORDER NO. \_\_\_\_\_